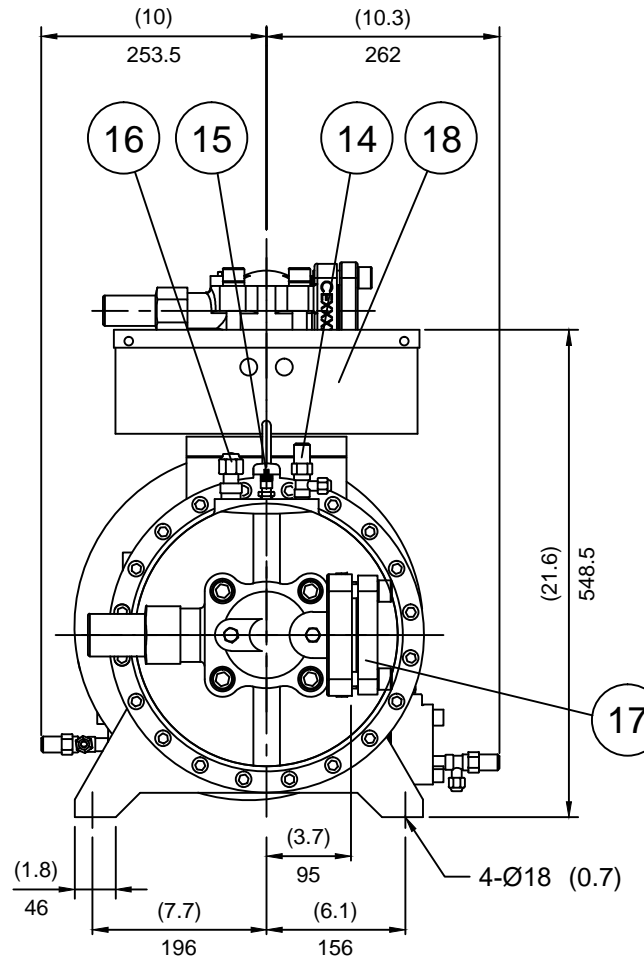
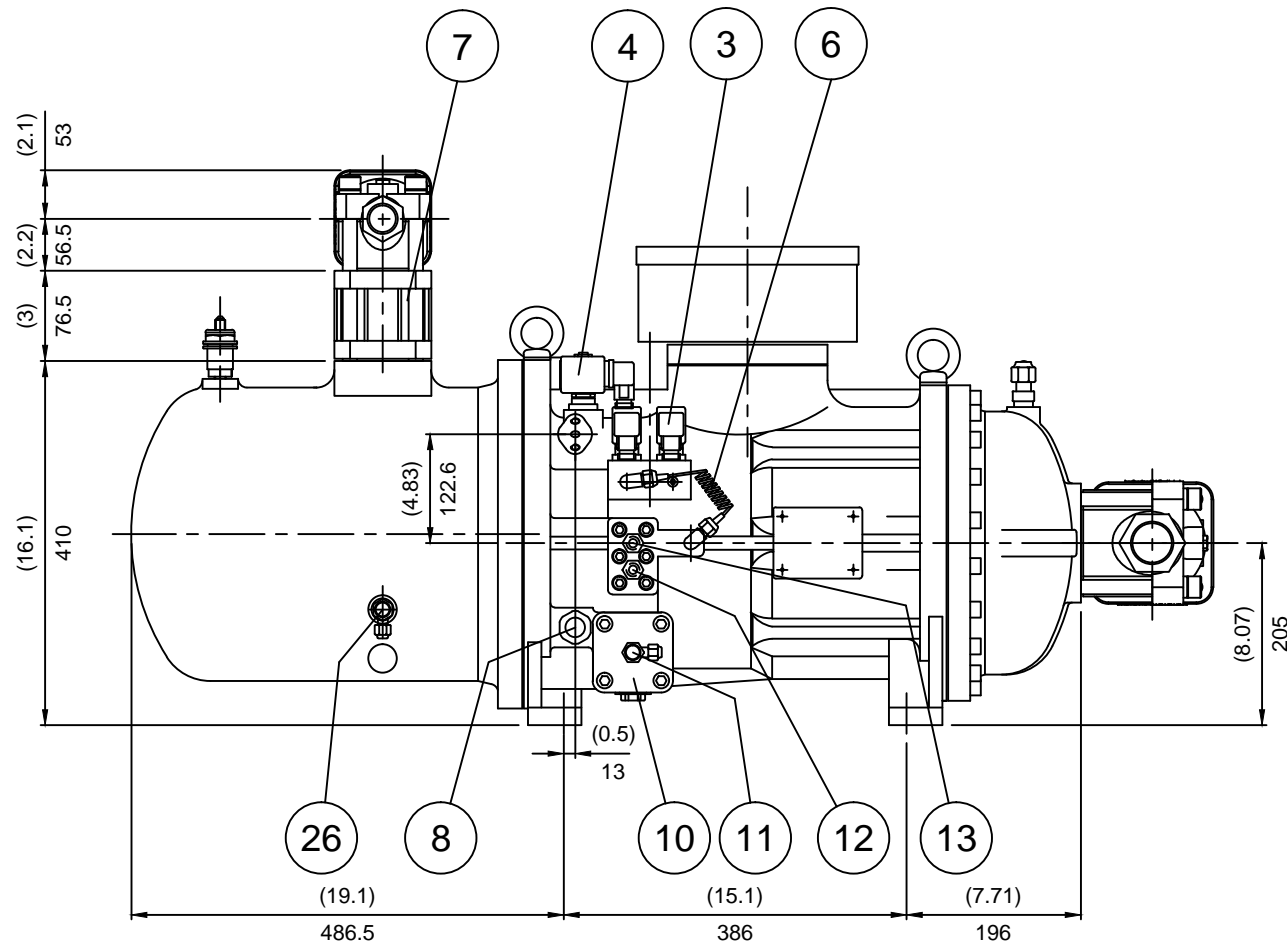
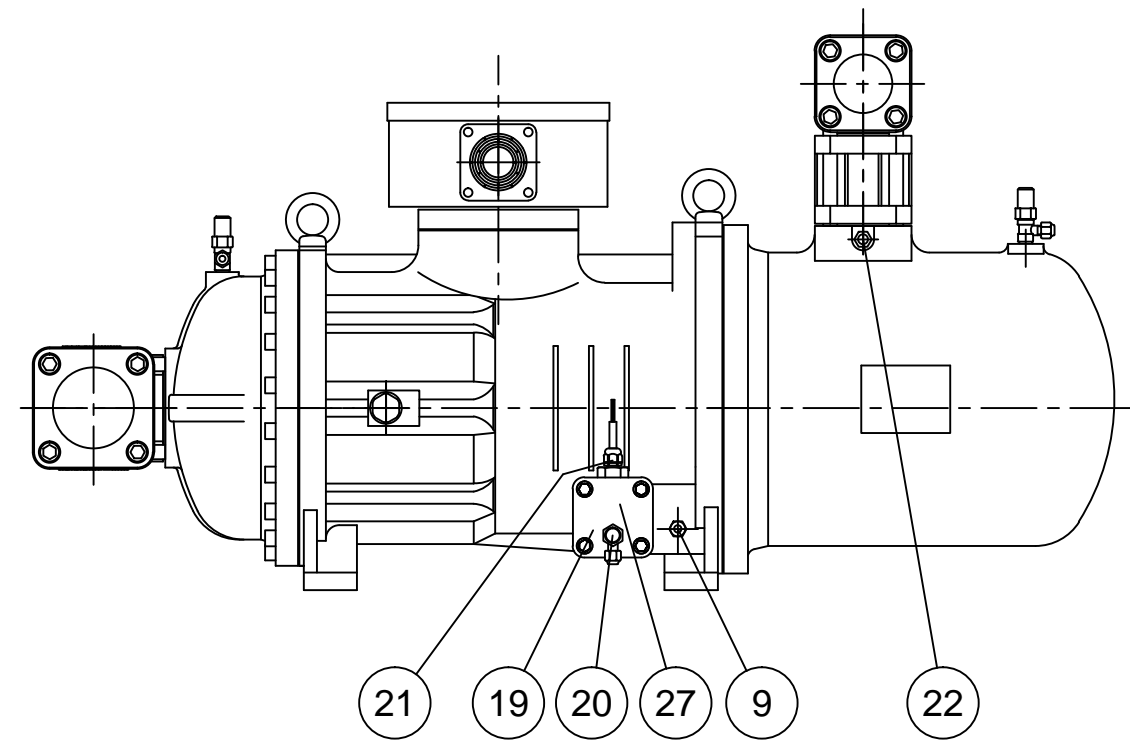


No.	Name	Note	No.	Name	Note
1	Angle valve	1/4"Flare	15	Refrigerant service valve	1/4"Flare
2	Discharge flange	1 1/2"	16	Liquid injection connector	5/8"Flare, option
3	Solenoid valve	33%(NC)	17	Suction flange	2 1/2"
4	Solenoid valve	66%(NC)	18	Cable box	Standard
5	Liquid(oil or refrigerant) injection connector	3/8"Flare, option	19	Service flange	
6	Capillary		20	Oil drain valve	Option
7	Check valve	1 1/2"	21	Oil level switch	Option
8	Oil sight glass		22	Discharge temp. sensor	110°C
9	Oil heater	150W/300W	23	Economizer connector	5/8",solder
10	Oil filter cartridge		24	Safety Valve	1/2"NPT, option
11	Oil pressure differential switch	Option	25	Solenoid valve	Stepless(NC or NO), Option
12	Oil connector(out)	3/8"Flare, option	26	Over flow port	Option
13	Oil connector(in)	3/8"Flare, option	27	Oil sight glass	Option
14	Angle valve	1/4"Flare			



*All stop valves are optional.



Dimensional Outline Drawing & Component Description for Stepless or Modulating-Type Capacity Control Application	
Hanbell Model	RC2-180A&B
Date	05/29/2024
Drawn By	ILM



Micro Control Systems, Inc.
 5877 Enterprise Parkway
 Fort Myers, Florida 33905
 Tel. (239) 694-0089 Fax (239) 694-0031
 E-mail: compressors@mcscontrols.com

Model	RC2-180A&B	
Name	Compressor outline	
		Ver. 06

UNIT
 SI: mm Imperial: (in)